



**LINGJACK**  
DECK MACHINERY

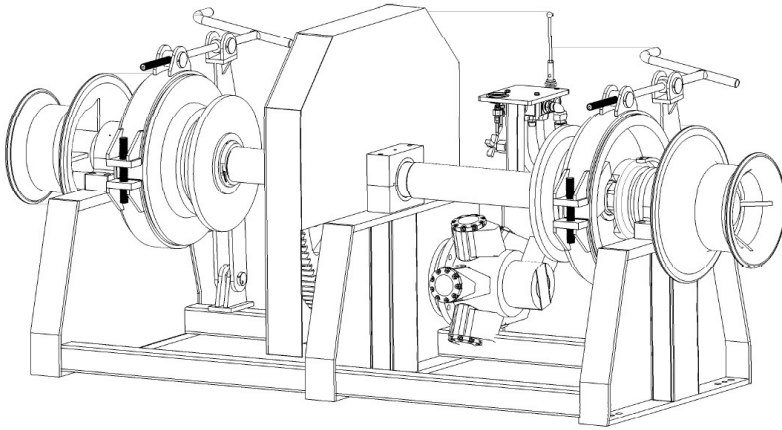
No. 1 Woodlands Terrace, Lingjack Industrial Building, Singapore 738471

Tel: (65) 6759 4163 Fax.: (65) 6756 1250

<http://www.lingjack.com> email: [dm@lingjack.com](mailto:dm@lingjack.com)

Co. Reg. No.: 20183420E

## Anchor Windlass



### Design Specification

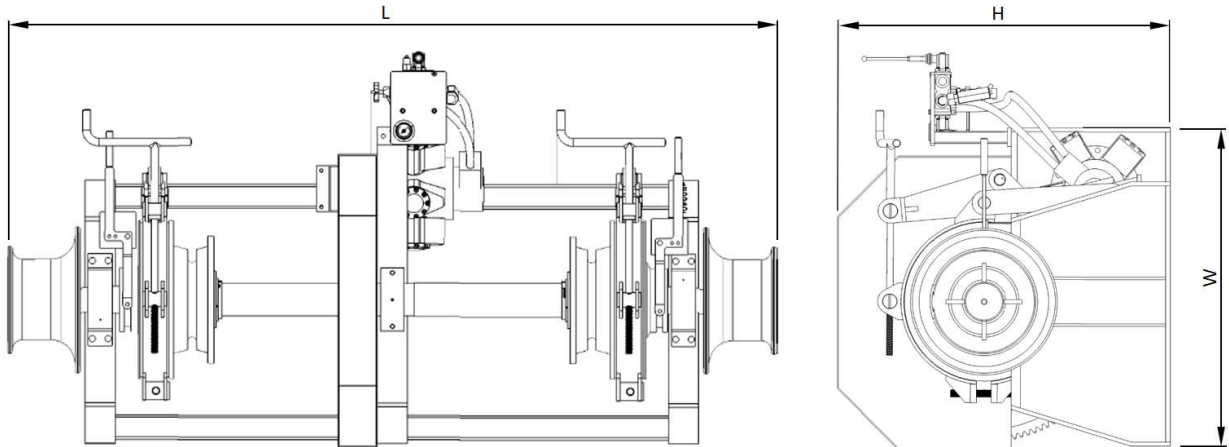
- **Single gypsy or double gypsies configuration**
- **High grade cast steel cable lifter to suit U2 / U3 chain**
- **Hydraulic or Electric Motor driven**
- **Designed to Marine Class Society, such as ABS, DNVGL, LR, BV, NKK, CCS, BKI etc. regulations**
- **Witness Test by Class and Certificate to issue**
- **Custom C2C distance to suit vessel requirement**

### Operation Features

- ❖ **Electro-hydraulic HPU Power supply**
- ❖ **Local Control DCV for heave in / stop / pay out operation**
- ❖ **Manual engage jaw clutch to individual gypsy**
- ❖ **Manual operated band brake on individual gypsy**



## Anchor Windlass Data



Model No.	Rated Pull	Overload Pull	Brake Holding	Gypsy CTR TO CTR	Main Dimension Approx. L x W x H
LJDM-HAW-GG-20U2	1.8 Ton x 9 m/min	2.7 Ton	11.2 Ton	1200mm	2.6m x 1.2m x 1.2m
LJDM-HAW-GG-22U2	2.1 Ton x 9 m/min	3.1 Ton	12.9 Ton		
LJDM-HAW-GG-24U2	2.5 Ton x 9 m/min	3.7 Ton	15.3 Ton		
LJDM-HAW-GG-26U2	2.9 Ton x 9 m/min	4.4 Ton	17.9 Ton	1300mm	2.8m x 1.2m x 1.2m
LJDM-HAW-GG-28U2	3.4 Ton x 9 m/min	5.1 Ton	20.6 Ton		
LJDM-HAW-GG-30U2	3.9 Ton x 9 m/min	5.8 Ton	23.6 Ton		
LJDM-HAW-GG-32U2	4.4 Ton x 9 m/min	6.7 Ton	26.7 Ton	1400mm	3.0m x 1.4m x 1.4m
LJDM-HAW-GG-34U2	5.0 Ton x 9 m/min	7.5 Ton	30.1 Ton		
LJDM-HAW-GG-36U2	5.6 Ton x 9 m/min	8.4 Ton	33.6 Ton	1500mm	3.2m x 1.5m x 1.5m
LJDM-HAW-GG-38U2	6.3 Ton x 9 m/min	9.4 Ton	37.3 Ton		
LJDM-HAW-GG-40U2	6.9 Ton x 9 m/min	10.4 Ton	41.1 Ton	1600mm	3.6m x 1.6m x 1.6m
LJDM-HAW-GG-42U2	7.6 Ton x 9 m/min	11.5 Ton	45.2 Ton		
LJDM-HAW-GG-46U2	9.2 Ton x 9 m/min	13.8 Ton	53.7 Ton	1800mm	4.0m x 1.8m x 1.6m
LJDM-HAW-GG-52U2	11.7 Ton x 9 m/min	17.6 Ton	67.9 Ton	2200mm	4.2m x 2.0m x 1.8m