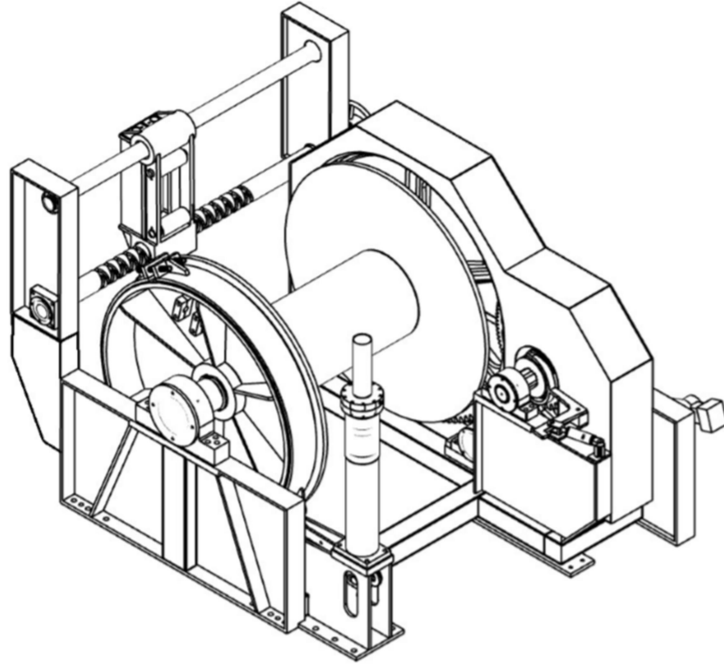




Aft Towing Winch



Design Specification

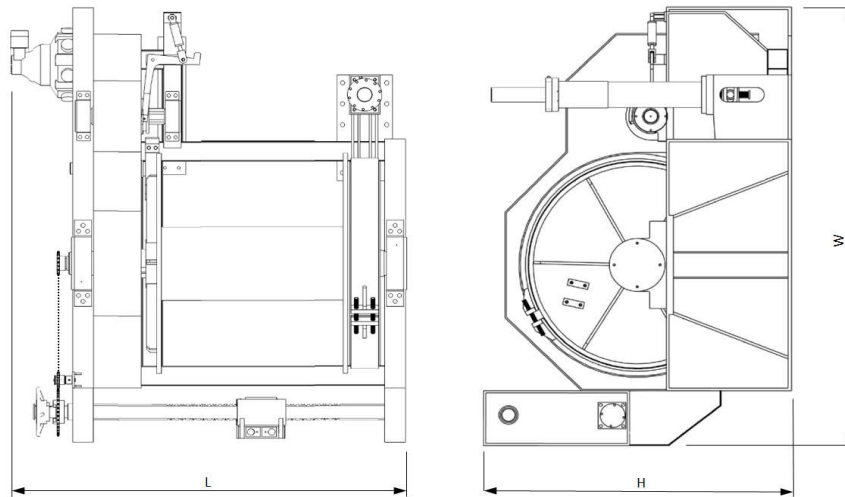
- **Specific design for Harbour, Escort or Ocean Towing Tug (upon request)**
- **Single Drum configuration, or double drum (upon request)**
- **c/w auto spooling assembly of wire rope above 500m in length**
- **c/w Quick Release system as per Class requirement**
- **Side Warping Drum install (upon request)**
- **Hydraulic driven or Electric Motor driven (upon request)**
- **Load / Length monitoring system for Tow drum (upon request)**
- **Design comply to Marine Class Society, such as ABS, DNVGL, LR, BV, NKK, CCS, BKI etc regulations (upon request)**
- **Witness Test by Class and Certificate to issue (upon request)**
- **Custom overall size to suit vessel deck space (upon request)**
- **Manual or hydraulic operated ratchet on drum (upon request)**

Operation Features

- ❖ **Electro-hydraulic HPU Power supply**
- ❖ **Local Control and Wheelhouse Remote Control (upon request)**
- ❖ **Hydraulic engage jaw clutch**
- ❖ **Failsafe Spring acted hydraulic release band brake on drum**



Aft Towing Winch Data



Model No.	Rated Pull low speed / high speed	Brake Holding	Drum Capacity	Main Dimension Approx. L x W x H
LJDM-HTW-SPD-10B60	10T x 15m/min / 5T x 30m/min	60 Ton	220m x 90mm PP	2.6m x 2m x 1.5m
LJDM-HTW-SPD-20B90	20T x 15m/min / 10T x 30m/min	90 Ton	300m x 120mm PP	2.8m x 2.2m x 1.8m
LJDM-HTW-SPD-30B120	30T x 12m/min / 14T x 24m/min	120 Ton	300m x 150mm PP	3.0m x 2.4m x 2m
LJDM-HTW-SD-10B60	10T x 15m/min / 5T x 30m/min	60 Ton	500m x 32mm SWR	2.6m x 2m x 1.5m
LJDM-HTW-SD-20B90	20T x 15m/min / 10T x 30m/min	90 Ton	650m x 38mm SWR	2.8m x 2.2m x 1.8m
LJDM-HTW-SD-30B120	30T x 12m/min / 14T x 24m/min	120 Ton	800m x 44mm SWR	3.0m x 2.4m x 2m
LJDM-HTW-SD-50B150	50T x 12m/min / 23T x 24m/min	150 Ton	800m x 52mm SWR	3.2m x 2.6m x 2.1m
LJDM-HTW-SD-75B180	75T x 10m/min / 30T x 20m/min 15T x 40m/min	180 Ton	1000m x 56mm SWR	3.5m x 3.1m x 2.2m
LJDM-HTW-SD-100B220	100T x 10m/min / 40T x 20m/min 20T x 40m/min	220 Ton	1000m x 60mm SWR	3.8m x 3.5m x 2.3m