



LINGJACK
DECK MACHINERY

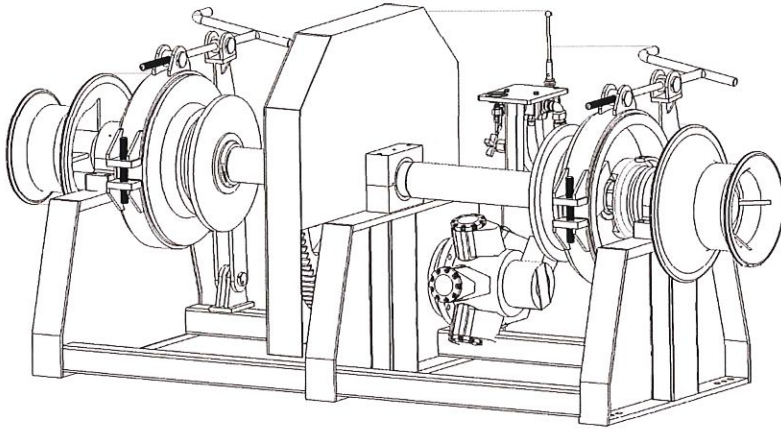
No. 1 Woodlands Terrace, Lingjack Industrial Building, Singapore 738471

Tel: (65) 6759 4163 Fax.: (65) 6756 1250

<http://www.lingjack.com> email: dm@lingjack.com

Co. Reg. No.: 20183420E

Anchor Windlass



Design Specification

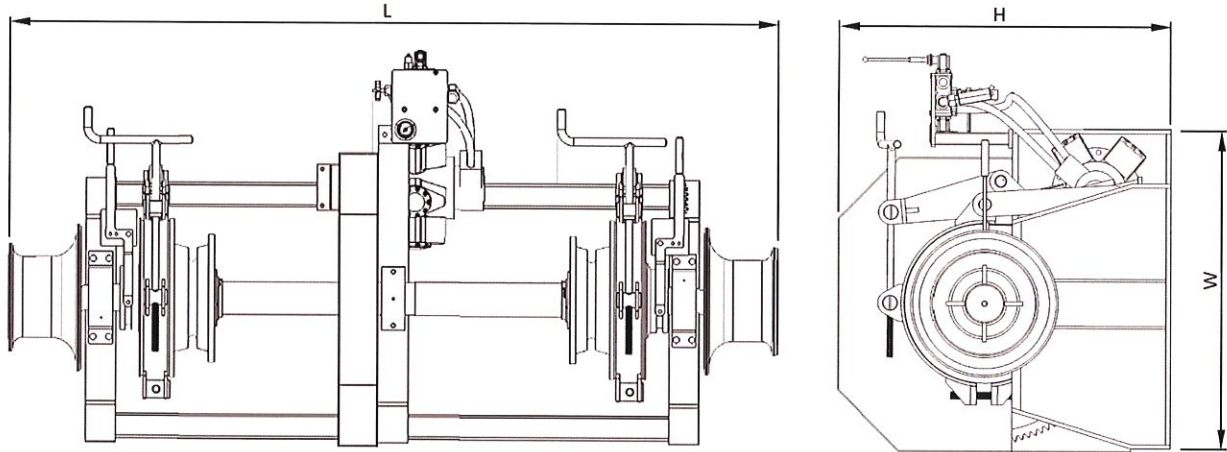
- **Single gypsy or double gypsies configuration**
- **High grade cast steel cable lifter to suit U2 / U3 chain**
- **Hydraulic or Electric Motor driven**
- **Designed to Marine Class Society, such as ABS, DNVGL, LR, BV, NKK, CCS, BKI etc. regulations**
- **Witness Test by Class and Certificate to issue**
- **Custom C2C distance to suit vessel requirement**

Operation Features

- ❖ **Electro-hydraulic HPU Power supply**
- ❖ **Local Control DCV for heave in / stop / pay out operation**
- ❖ **Manual engage jaw clutch to individual gypsy**
- ❖ **Manual operated band brake on individual gypsy**



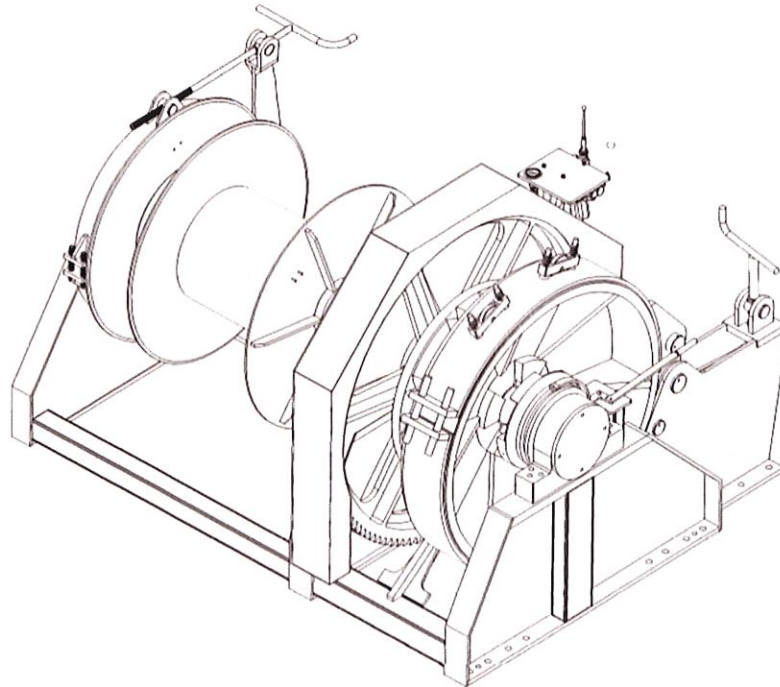
Anchor Windlass Data



| Model No. | Rated Pull | Overload Pull | Brake Holding | Gypsy CTR TO CTR | Main Dimension Approx. L x W x H |
|-----------------|--------------------|---------------|---------------|------------------|----------------------------------|
| LDM-HAW-GG-20U2 | 1.8 Ton x 9 m/min | 2.7 Ton | 11.2 Ton | 1200mm | 2.6m x 1.2m x 1.2m |
| LDM-HAW-GG-22U2 | 2.1 Ton x 9 m/min | 3.1 Ton | 12.9 Ton | | |
| LDM-HAW-GG-24U2 | 2.5 Ton x 9 m/min | 3.7 Ton | 15.3 Ton | | |
| LDM-HAW-GG-26U2 | 2.9 Ton x 9 m/min | 4.4 Ton | 17.9 Ton | 1300mm | 2.8m x 1.2m x 1.2m |
| LDM-HAW-GG-28U2 | 3.4 Ton x 9 m/min | 5.1 Ton | 20.6 Ton | | |
| LDM-HAW-GG-30U2 | 3.9 Ton x 9 m/min | 5.8 Ton | 23.6 Ton | | |
| LDM-HAW-GG-32U2 | 4.4 Ton x 9 m/min | 6.7 Ton | 26.7 Ton | 1400mm | 3.0m x 1.4m x 1.4m |
| LDM-HAW-GG-34U2 | 5.0 Ton x 9 m/min | 7.5 Ton | 30.1 Ton | | |
| LDM-HAW-GG-36U2 | 5.6 Ton x 9 m/min | 8.4 Ton | 33.6 Ton | 1500mm | 3.2m x 1.5m x 1.5m |
| LDM-HAW-GG-38U2 | 6.3 Ton x 9 m/min | 9.4 Ton | 37.3 Ton | | |
| LDM-HAW-GG-40U2 | 6.9 Ton x 9 m/min | 10.4 Ton | 41.1 Ton | 1600mm | 3.6m x 1.6m x 1.6m |
| LDM-HAW-GG-42U2 | 7.6 Ton x 9 m/min | 11.5 Ton | 45.2 Ton | | |
| LDM-HAW-GG-46U2 | 9.2 Ton x 9 m/min | 13.8 Ton | 53.7 Ton | 1800mm | 4.0m x 1.8m x 1.6m |
| LDM-HAW-GG-52U2 | 11.7 Ton x 9 m/min | 17.6 Ton | 67.9 Ton | 2200mm | 4.2m x 2.0m x 1.8m |



Bow Windlass / Mooring Winch Combination



Design Specification

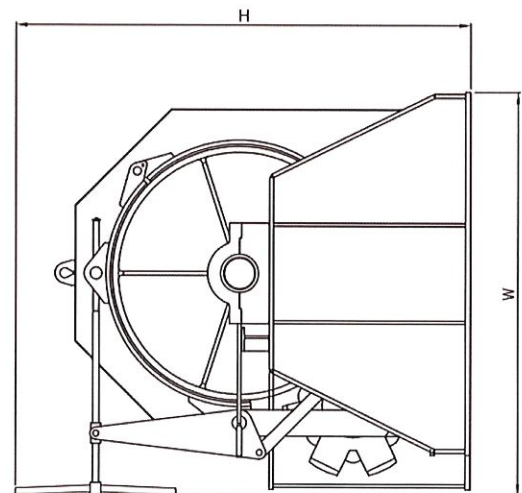
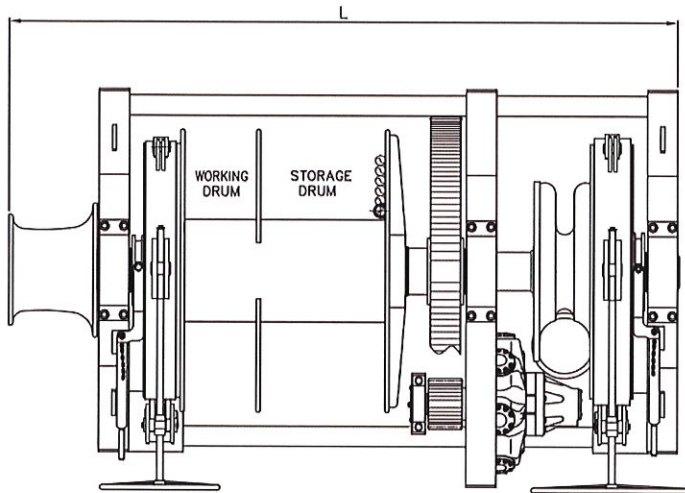
- **Specific design for PSV, OSV or Tanker (upon request)**
- **Single Gypsy, Single Moor Drum configuration**
- **Double Gypsies, single / double drum for Tanker (upon request)**
- **Mooring drum with Soft-rope (HMPE) – for alongside usage**
- **Mooring drum with Wire Rope (SWR) – for 4 point mooring purpose**
- **Side Warping Drum install (upon request)**
- **Hydraulic Motor driven**
- **Windlass design to Marine Class Society, such as ABS, DNVGL, LR, BV, NKK, CCS, BKI etc. regulations**
- **Mooring for Tanker design to OCIMF requirements**
- **Witness Test by Class and Certificate to issue**
- **Custom overall size to suit vessel deck space (upon request)**

Operation Features

- ❖ **Electro-hydraulic HPU Power supply**
- ❖ **Local Control or c/w Wheelhouse Remote Control for 4 point mooring**
- ❖ **Manual clutch, manual brake for windlass**
- ❖ **Manual clutch, manual brake for mooring drum if alongside usage**
- ❖ **Hydraulic cylinder operated clutch and Failsafe Spring acted hydraulic release band brake on drum for 4 point mooring application**



Bow Windlass / Mooring Winch Data



| Model No. | Windlass Rated Pull | Brake Holding | Gypsy Size | Main Dimension Approx. L x W x H |
|-----------|-------------------------|---------------|------------------------------|-------------------------------------|
| | Mooring Drum Rated Pull | Brake Holding | Drum Capacity m x Dia. mm | |

PSV, OSV Use

(SWR- 180kg/mm²)

(w/o divider plate)

| | | | | |
|---------------------------|-------------------------------|----------|------------------|--------------------|
| LJDM-HAMW-SGD-24u2-25B60 | 3.7T / 2.5T @ 9m/min | 15.3 Ton | 24U2 Chain | 2.6m x 2m x 1.8m |
| | 25T x 15m/min / 12T x 30m/min | 60 Ton | 800m x 32mm SWR | |
| LJDM-HAMW-SGD-28u2-40B90 | 5.1T / 3.4T @ 9m/min | 20.6 Ton | 28U2 Chain | 2.7m x 2.2m x 2 m |
| | 40T x 10m/min / 12T x 30m/min | 90 Ton | 800m x 38mm SWR | |
| LJDM-HAMW-SGD-32u2-60B110 | 6.7T / 4.4T @ 9m/min | 26.7 Ton | 32U2 Chain | 2.9m x 2.4m x 2.2m |
| | 60T x 10m/min / 16T X 30m/min | 110 Ton | 1000m x 44mm SWR | |

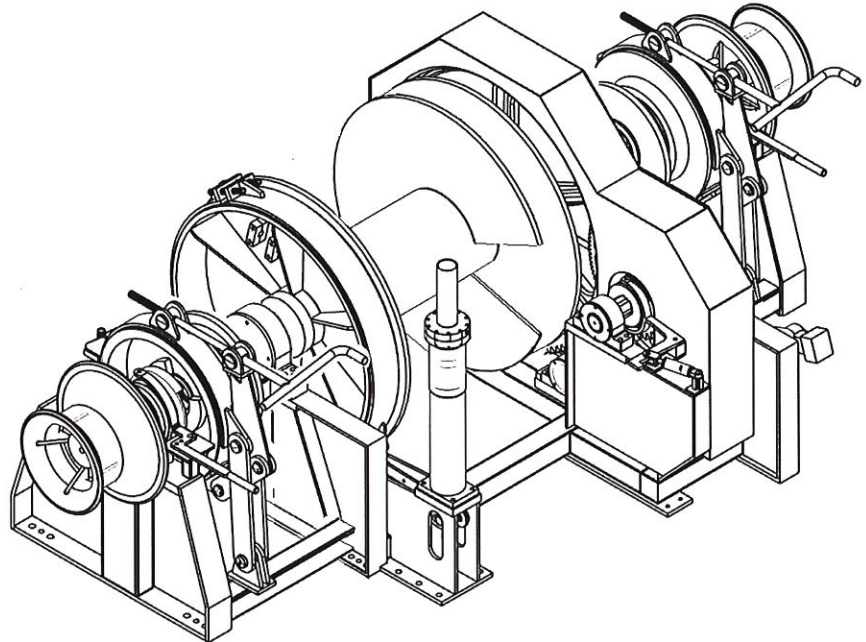
Tanker Use

(8-strand Polypropylene Rope)

| | | | | |
|--------------------------|------------------------------|----------|----------------|--------------------|
| LJDM-HAMW-SDG-36u2-5B16 | 8.4T / 5.6T @ 9m/min | 33.6 Ton | 36 U2 Chain | 2.8m x 2m x 1.6m |
| | 5T x 15m/min / 2T x 30m/min | 16 Ton | 220m x 42mm PP | |
| LJDM-HAMW-SDG-44u2-8B24 | 12.6T / 8.4T @ 9m/min | 49.4 Ton | 44U2 Chain | 3m x 2.1m x 1.7m |
| | 8T x 15m/min / 3T x 30m/min | 24 Ton | 220m x 56mm PP | |
| LJDM-HAMW-SDG-50u2-12B36 | 16.2T / 10.8T @ 9m/min | 63 Ton | 50U2 Chain | 3.2m x 2.2m x 1.8m |
| | 12T x 12m/min / 5T X 30m/min | 36 Ton | 220m x 64mm PP | |



Bow Windlass /Towing Winch Combination



Design Specification

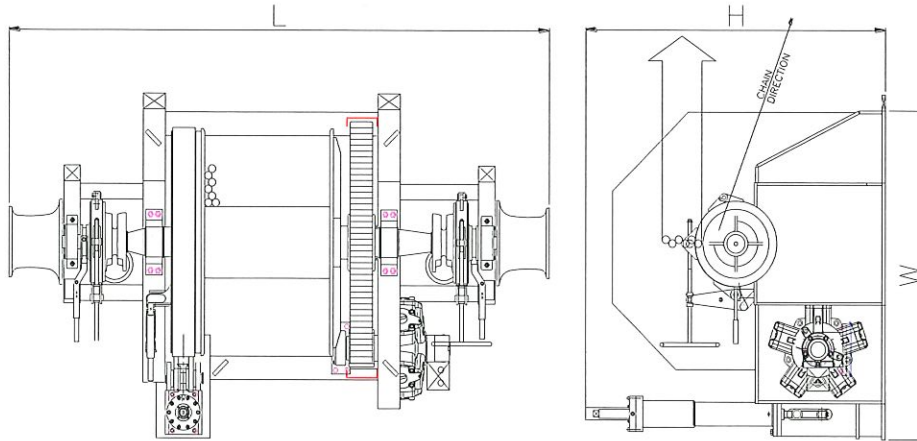
- **Specific design for Harbour, Escort or Ocean Towing Tug (upon request)**
- **Double Gypsies, Single Tow Drum configuration**
- **Towing drum using Soft-rope (HMPE)**
- **Side Warping Drum install (upon request)**
- **Hydraulic Motor driven**
- **Design to Marine Class Society, such as ABS, DNVGL, LR, BV, NKK, CCS, BKI etc. regulations**
- **Witness Test by Class and Certificate to issue**
- **Custom overall size to suit vessel deck space (upon request)**

Operation Features

- ❖ **Electro-hydraulic HPU Power supply**
- ❖ **Local Control and Wheelhouse Remote Control (upon request)**
- ❖ **Manual clutch for windlass and hydraulic engage jaw clutch for tow drum**
- ❖ **Manual band brake for windlass and Failsafe Spring acted hydraulic release band brake on drum**



Bow Windlass /Towing Winch Data



| Model No. | Windlass Rated Pull | Brake Holding | Gypsy Size | Main Dimension Approx. L x W x H |
|-----------|---------------------|---------------|------------------------------|-------------------------------------|
| | Tow Drum Rated Pull | Brake Holding | Drum Capacity m x Dia. mm | |

Harbour Tug Use

(Fusion -12 HMPE)

| | | | | |
|---------------------------|-------------------------------|----------|----------------|---------------------|
| LJDM-HATW-GDG-20u2-10B60 | 2.7T / 1.8T @ 9m/min | 11.2 Ton | 20 U2 Chain | 3.4m x 2.2m x 1.9m |
| | 10T x 15m/min / 5T x 30m/min | 60 Ton | 180m x 44mm DP | |
| LJDM-HATW-GDG-24u2-20B90 | 3.7T / 2.5T @ 9m/min | 15.3 Ton | 24U2 Chain | 3.6m x 2.3m x 2.0 m |
| | 20T x 15m/min / 10T x 30m/min | 90 Ton | 200m x 56mm DP | |
| LJDM-HATW-GDG-28u2-30B120 | 5.1T / 3.4T @ 9m/min | 20.6 Ton | 28U2 Chain | 3.8m x 2.4m x 2.2m |
| | 30T x 15m/min / 14T X 30m/min | 120 Ton | 220m x 64mm DP | |

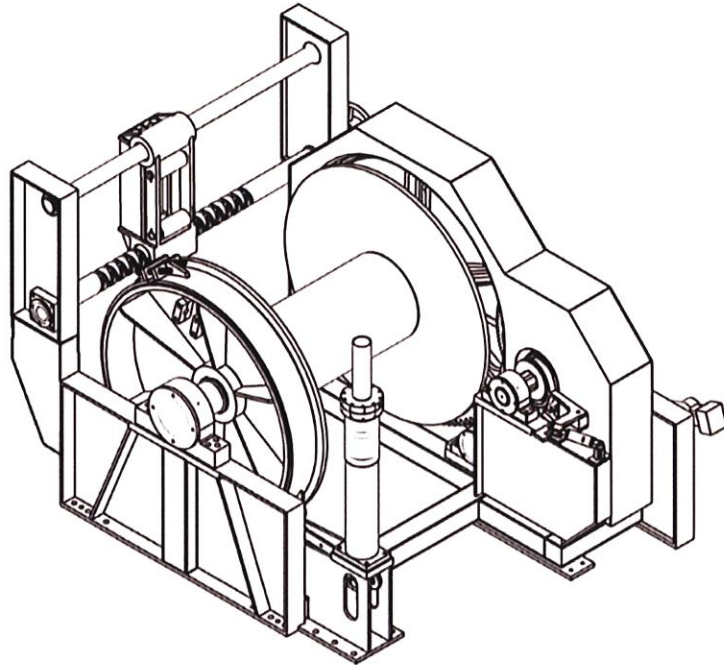
Escort Tug Use

(Saturn -12 HMPE)

| | | | | |
|----------------------------|--------------------------------|----------|----------------|--------------------|
| LJDM-HATW-GDG-24u2-30B100 | 3.7T / 2.5T @ 9m/min | 15.3 Ton | 24 U2 Chain | 3.6m x 2.2m x 1.8m |
| | 30T x 15m/min / 15T x 30m/min | 100 Ton | 220m x 44mm SP | |
| LJDM-HATW-GDG-30u2-60B180 | 5.8T / 3.9T @ 9m/min | 23.6 Ton | 30U2 Chain | 3.8m x 2.4m x 2.0m |
| | 60T x 15m/min / 25T x 30m/min | 180 Ton | 220m x 56mm SP | |
| LJDM-HATW-GDG-36u2-100B250 | 8.4T / 5.6T @ 9m/min | 33.6 Ton | 36U2 Chain | 4.0m x 2.6m x 2.2m |
| | 100T x 12m/min / 35T X 30m/min | 250 Ton | 220m x 64mm SP | |



Aft Towing Winch



Design Specification

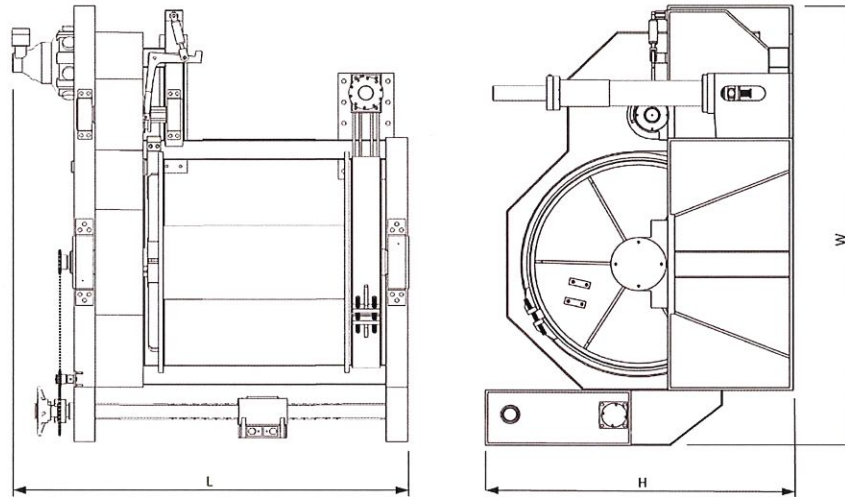
- **Specific design for Harbour, Escort or Ocean Towing Tug (upon request)**
- **Single Drum configuration, or double drum (upon request)**
- **c/w auto spooling assembly of wire rope above 500m in length**
- **c/w Quick Release system as per Class requirement**
- **Side Warping Drum install (upon request)**
- **Hydraulic driven or Electric Motor driven (upon request)**
- **Load / Length monitoring system for Tow drum (upon request)**
- **Design comply to Marine Class Society, such as ABS, DNVGL, LR, BV, NKK, CCS, BKI etc. regulations (upon request)**
- **Witness Test by Class and Certificate to issue (upon request)**
- **Custom overall size to suit vessel deck space (upon request)**
- **Manual or hydraulic operated ratchet on drum (upon request)**

Operation Features

- ❖ **Electro-hydraulic HPU Power supply**
- ❖ **Local Control and Wheelhouse Remote Control (upon request)**
- ❖ **Hydraulic engage jaw clutch**
- ❖ **Failsafe Spring acted hydraulic release band brake on drum**



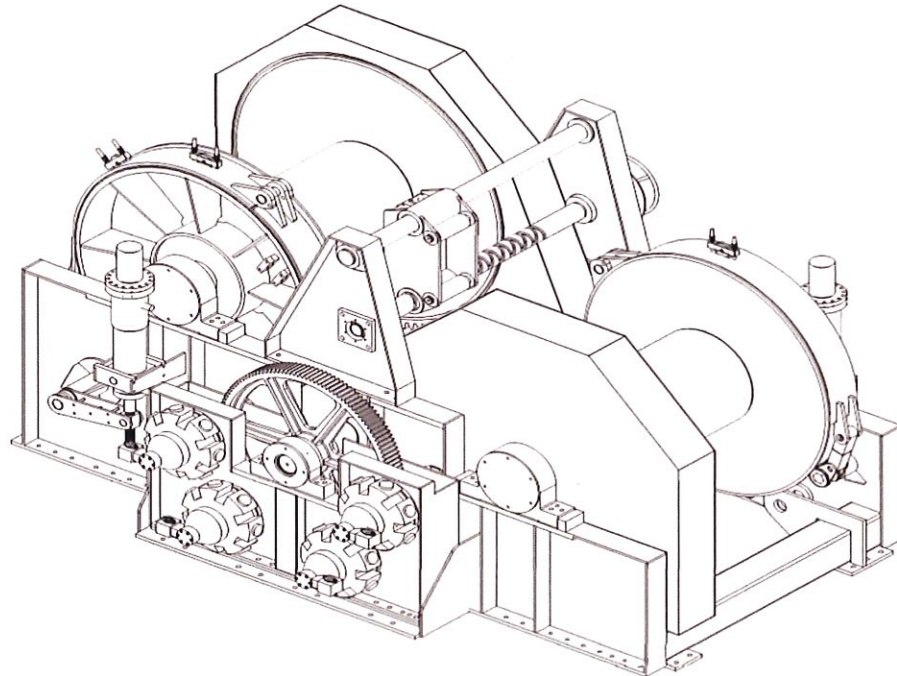
Aft Towing Winch Data



| Model No. | Rated Pull low speed / high speed | Brake Holding | Drum Capacity | Main Dimension Approx. L x W x H |
|---------------------|---|------------------|------------------|-------------------------------------|
| LJDM-HTW-SPD-10B60 | 10T x 15m/min / 5T x 30m/min | 60 Ton | 220m x 90mm PP | 2.6m x 2m x 1.5m |
| LJDM-HTW-SPD-20B90 | 20T x 15m/min / 10T x 30m/min | 90 Ton | 300m x 120mm PP | 2.8m x 2.2m x 1.8m |
| LJDM-HTW-SPD-30B120 | 30T x 12m/min / 14T X 24m/min | 120 Ton | 300m x 150mm PP | 3.0m x 2.4m x 2m |
| LJDM-HTW-SD-10B60 | 10T x 15m/min / 5T x 30m/min | 60 Ton | 500m x 32mm SWR | 2.6m x 2m x 1.5m |
| LJDM-HTW-SD-20B90 | 20T x 15m/min / 10T x 30m/min | 90 Ton | 650m x 38mm SWR | 2.8m x 2.2m x 1.8m |
| LJDM-HTW-SD-30B120 | 30T x 12m/min / 14T X 24m/min | 120 Ton | 800m x 44mm SWR | 3.0m x 2.4m x 2m |
| LJDM-HTW-SD-50B150 | 50T x 12m/min / 23T x 24m/min | 150 Ton | 800m x 52mm SWR | 3.2m x 2.6m x 2.1m |
| LJDM-HTW-SD-75B180 | 75T x 10m/min / 30T x 20m/min 15T x 40m/min | 180 Ton | 1000m x 56mm SWR | 3.5m x 3.1m x 2.2m |
| LJDM-HTW-SD-100B220 | 100T x 10m/min / 40T x 20m/min 20T x 40m/min | 220 Ton | 1000m x 60mm SWR | 3.8m x 3.5m x 2.3m |



Anchor Handling / Towing Winch



Design Specification

- **Specific design for Anchor Handling or Ocean Towing Tug (upon request)**
- **Double drums arrange in waterfall configuration**
- **Towing drum c/w auto spooling assembly**
- **c/w Quick Release system as per Class requirement**
- **Side Gypsy or Warping Drum install (upon request)**
- **Hydraulic motor(s) driven**
- **Load / Length monitoring system for Tow drum (upon request)**
- **Design comply to Marine Class Society, such as ABS, DNVGL, LR, BV, NKK, CCS, BKI etc. regulations (upon request)**
- **Witness Test by Class and Certificate to issue (upon request)**
- **Custom overall size to suit vessel deck space (upon request)**
- **Manual or hydraulic operated ratchet on drum (upon request)**

Operation Features

- ❖ **Electro-hydraulic HPU Power supply**
- ❖ **Local Control and Wheelhouse Remote Control**
- ❖ **Hydraulic engage jaw clutches for both drums**
- ❖ **Failsafe Spring acted hydraulic release band brake on both drums**
- ❖ **Load / Rope length indication readout (upon request)**



LINGJACK
DECK MACHINERY

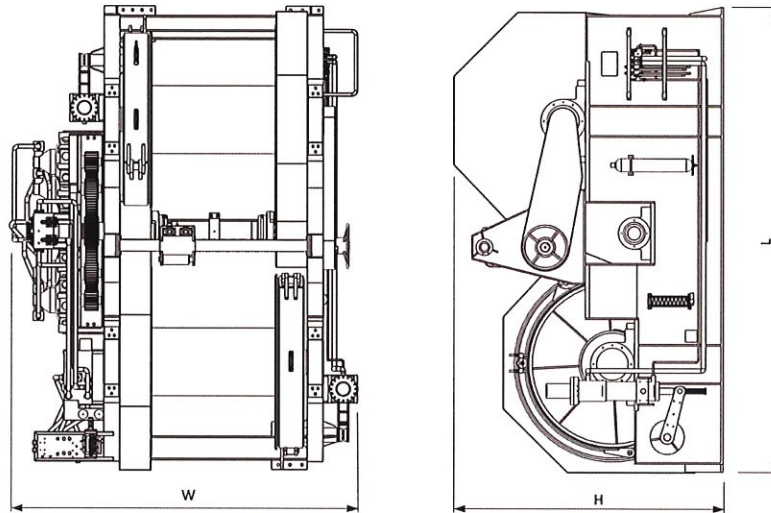
No. 1 Woodlands Terrace, Lingjack Industrial Building, Singapore 738471

Tel: (65) 6759 4163 Fax.: (65) 6756 1250

<http://www.lingjack.com> email: dm@lingjack.com

Co. Reg. No.: 20183420E

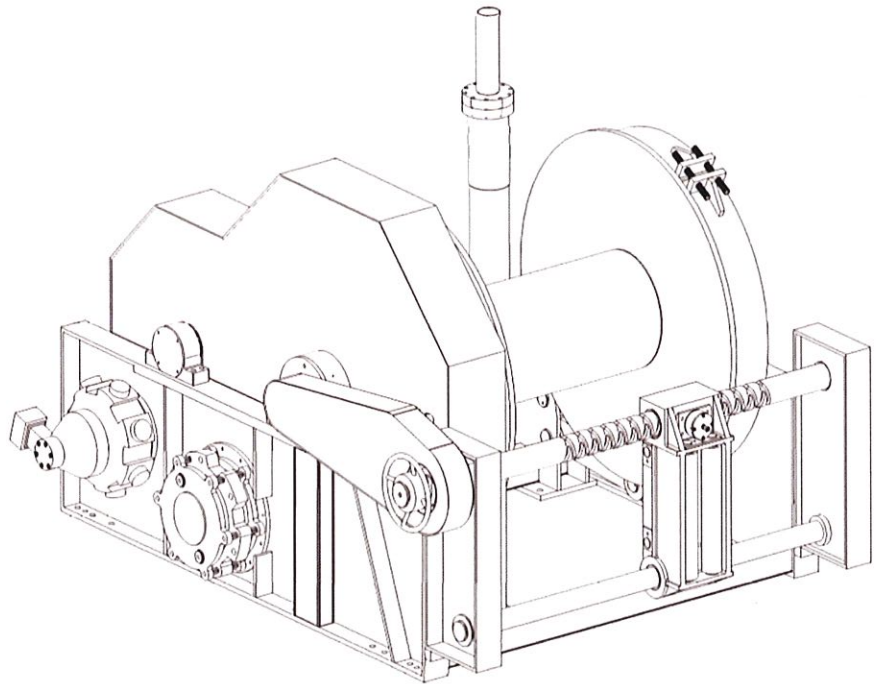
Anchor Handling / Towing Winch Data



| Model No. | Rated Pull low speed / high speed | Brake Holding | Drum Capacity | Main Dimension Approx. L x W x H |
|----------------------|--|------------------|------------------|-------------------------------------|
| LJDM-AHTW-WF-50B100 | 50T x 10m/min / 23T x 20m/min 10T x 40m/min | 100 Ton | 800m x 40mm SWR | 4.8m x 3.4m x 2.9m |
| LJDM-AHTW-WF-75B150 | 75T x 10m/min / 34T x 20m/min 10T x 40m/min | 150 Ton | 1000m x 50mm SWR | 5.2m x 3.8m x 3.0m |
| LJDM-AHTW-WF-100B180 | 100T x 10m/min / 45T x 20m/min 15T x 40m/min | 180 Ton | 1000m x 54mm SWR | 5.2m x 4.4m x 3.2m |
| LJDM-AHTW-WF-150B225 | 150T x 10m/min / 70T x 20m/min 20T x 40m/min | 225 Ton | 1000m x 58mm SWR | 5.6m x 4.6m x 3.5m |
| LJDM-AHTW-WF-200B300 | 200T x 10m/min / 90T x 20m/min 20T x 40m/min | 300 Ton | 1200m x 64mm SWR | 6.5m x 5.4m x 4.0m |
| LJDM-AHTW-WF-250B350 | 250T x 10m/min / 110T x 20m/min 20T x 40m/min | 350 Ton | 1200m x 71mm SWR | 7.5m x 6.0m x 4.5m |
| LJDM-AHTW-WF-300B400 | 300T x 10m/min / 130T x 20m/min 20T x 40m/min | 400 Ton | 1200m x 76mm SWR | 8.5m x 6.4m x 5.1m |



Mooring Winch



Design Specification

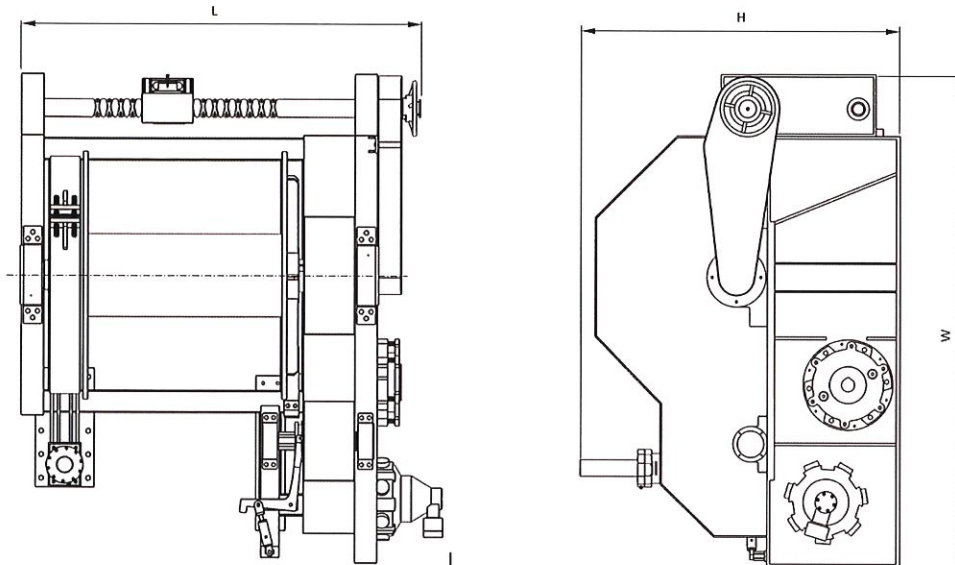
- **Specific design for PSV, OSV or Work Barge (upon request)**
- **Single Moor Drum configuration**
- **Double drum (water-fall / back to back configuration - upon request)**
- **Mooring drum with Wire Rope (SWR) – for 4/8/12 point mooring purpose**
- **Spooling system for proper coiling of wire rope above 500m length**
- **Winch c/w Drag Brake for 40T onward**
- **Side Warping Drum install (upon request)**
- **Manual or hydraulic operated ratchet on drum**
- **Hydraulic Motor driven**
- **Electrical motor driven custom design (upon request)**
- **Witness Test by Class and Certificate to issue (upon request)**
- **Custom overall size to suit deck space (upon request)**
- **Rigging System - Turning Sheave & Fairlead available (upon request)**
- **Load / Rope Length Monitoring System available (upon request)**

Operation Features

- ❖ **Electro-hydraulic HPU Power supply**
- ❖ **Local Control or c/w Wheelhouse Remote Control**
- ❖ **Manual operate or Hydraulic cylinder operated clutch on drum**
- ❖ **Failsafe Spring acted hydraulic release band brake on drum**



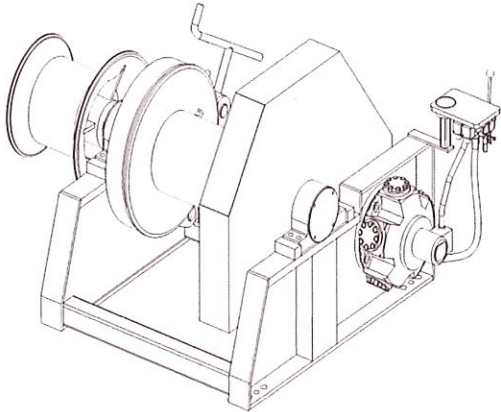
Mooring Winch Data



| Model No. | Tow Drum Rated Pull low speed / mid speed light load speed | Brake Holding | Drum Capacity m x Dia. mm | Main Dimension Approx. L x W x H |
|---------------------|--|------------------|------------------------------|-------------------------------------|
| LJDM-HMW-SD-20B40 | 20T x 15m/min / 8T x 30m/min | 40 Ton | 600m x 28mm SWR | 2.5m x 1.8m x 1.7m |
| LJDM-HMW-SD-30B60 | 30T x 15m/min / 14T x 30m/min | 60 Ton | 800m x 32mm SWR | 2.6m x 2.0m x 1.8m |
| LJDM-HMW-SD-40B90 | 40T x 10m/min / 18T x 30m/min | 90 Ton | 1000m x 38mm SWR | 3.1m x 3.4m x 2.2 m |
| LJDM-HMW-SD--60B135 | 60T x 10m/min / 28Tx 20m/min 12T x 40m/min | 135 Ton | 1000m x 44mm SWR | 3.4m x 3.2m x 2.4m |
| LJDM-HMW-SD--85B180 | 85T x 10m/min / 36T X 20m/min 20T x 40m/min | 180 Ton | 1200m x 50mm SWR | 3.9m x 4.1m x 2.8m |
| LJDM-HMW-SD—100B220 | 100T x 10m/min / 46T x 20m/min 20T x 40m/min | 220 Ton | 1200m x 56mm SWR | 4.6m x 4.8m x 3.0m |
| LJDM-HMW-SD-120B250 | 120T x 10m/min / 55T x 20m/min 25T x 40min | 250 Ton | 1350m x 64mm SWR | 5.2m x 4.6m x 3.2m |
| LJDM-HMW-SD-150B300 | 150T x 10m/min / 65T X 20m/min 30T x 40m/min | 300 Ton | 1500m x 72mm SWR | 5.6m x 5.0m x 3.4m |



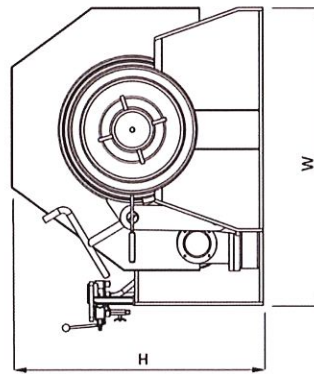
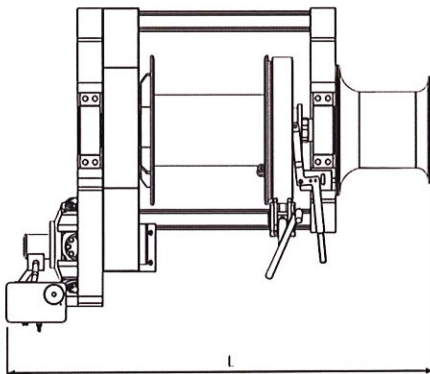
Tugger Winch



Operation Features

- ❖ **Electro-hydraulic HPU Power supply**
- ❖ **Local Control**
- ❖ **Manual engage jaw clutch**
- ❖ **Manual band brake**

Tugger Winch Data

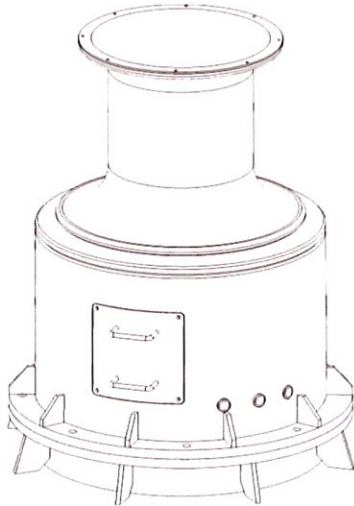


| Model No. | Rated Pull | Brake Holding | Drum Capacity | Main Dimension Approx. L x W x H |
|-----------------|---------------|---------------|---------------|----------------------------------|
| LJDM-HUW-SD-3T | 3T x 12m/min | 5 Ton | 200m x 20mm | 1.4m x 0.8m x 1.0m |
| LJDM-HUW-SD-5T | 5T x 12m/min | 8 Ton | 250m x 22mm | 1.6m x 1.1m x 1.1m |
| LJDM-HUW-SD-8T | 8T x 12m/min | 15 Ton | 250m x 24mm | 1.7m x 1.3m x 1.3m |
| LJDM-HUW-SD-12T | 12T x 10m/min | 18 Ton | 250m x 26mm | 1.8m x 1.4m x 1.4m |
| LJDM-HUW-SD-15T | 15T x 10m/min | 25Ton | 250m x 28mm | 1.9m x 1.5m x 1.5m |



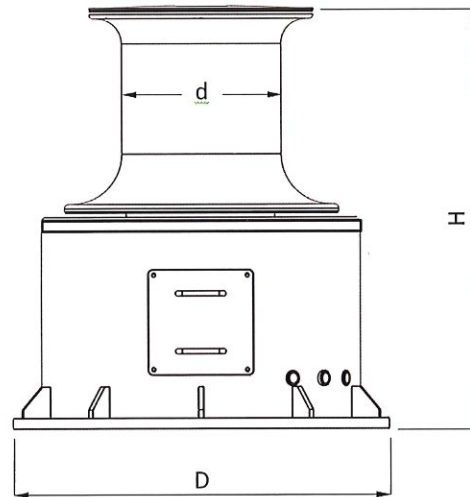


Vertical Capstan



Operation Features

- ❖ Hydraulic or Electric Motor Driven
- ❖ Electro-hydraulic HPU Power supply
- ❖ Local Control



Vertical Capstan Data

| Model No. | Rated Pull | Power | Warping Drum D Diameter – d | Main Dimension Pedestal dia D x H |
|-------------|--------------|-------|--------------------------------|--------------------------------------|
| LJDM-HVC-3T | 3T x 14m/min | 11kw | 330mm | 0.8m x 0.8m |
| LJDM-HVC-5T | 5T x 12m/min | 15Kw | 380mm | 0.9m x 1.0m |
| LJDM-HVC-8T | 8T x 10m/min | 22Kw | 450mm | 1.0m x 1.2m |
| LJDM-EVC-5T | 5T x 11m/min | 11 Kw | 380mm | 0.9m x 1.7m |
| LJDM-EVC-8T | 8T x 10m/min | 22 Kw | 450mm | 1.0m x 2.0m |

